

# AHP-450 S3

THE AHP- SERVO SERIES IS HORIZONTAL  
FLOW WRAPPER (HFFS) WITH  
MEDIUM-HIGH PERFORMANCE LEVEL.



211

**T**he AHP- SERVO Series is Horizontal Flow Wrapper (HFFS) with medium-high performance level.

It suits a wide range of production applications, where fast and easy to operate and size change operations are required.

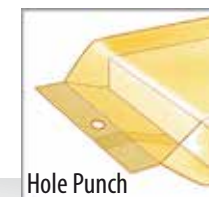
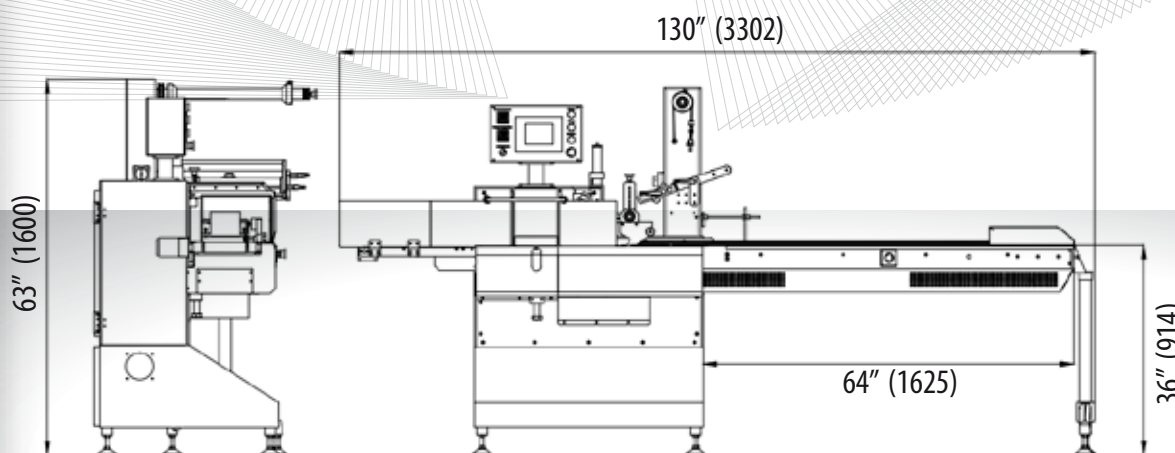
The AHP- SERVO Series flow wrappers can be tailored to match each customer's specific needs, and deliver maximum production flexibility and efficiency at each performance level.

# AHP-450 S3

## Standard Features

- Fully Adjustable Film Former.
- PLC controller with HMI Full Color Touch Screen to control the main machine functions such as: Bag Length, Speed of packaging, Axis Homing, Film Advance, Print Registration settings, Product Memory (20 recipes).
- Machine powered by 3 brushless servo motors Direct Gear Driven Assembly
- No product, No Bag Function.
- Dual OMRON temperature PID control and Solid State Relay.
- Two pair of sealing disc for fin seal with automatic pneumatic opening.
- SICK Sensor Printing film eye mark tracing system.
- Interlocked safety switches on all doors and guards that can be opened without tools
- All parts in contact with the product are either 304 stainless steel.

Model AHP - 450 S3	RD 114		RD 144	
Number of Jaw	1 Jaw	2 Jaws	1 jaw	2 Jaws
Max. Product Length (Inch-MM)	14 (357)	7 (178)	17 ¾ (452)	9 (228)
Min. Product Length (Inch-MM)	4 ⅝ (120)	20 ⅜ (60)	6 (152)	3 (76)
Product width (Inch-MM)	1 ⅜ - 6 ⅜ (35-160)			
Product height (Inch-MM)	¾ - 1 ⅝ (5-40)		¾ - 2 ¾ (5-70)	
Packing Capacity (pcs/min) (According # Jaw)	35 - 300			
Sealing Jaw Width (Inch-MM)	7 ⅞ (200)			
Film width max. (Inch-MM)	18 (457)			
Compressed Air	6 bar, 1 L/min			
Power Supply	1 Ph. 208-240 V 50/60 Hz			
Power Max.	4 Kw			
Machine Dimension (LxWxH) (Inch-MM)	v130 x 38 x 63   3300 x 950 x 1600			
Weight (net-gross) (Lb-Kg)	1014 (460)			



smart packaging solutions by producers



769 Shotgun Rd., Sunrise, FL, 33326  
 Tel: +1 754.779.7800 - Fax: +1 754.779.7871  
 info@alphapack.us - sales@alphapack.us  
 www.alphapack.us