

# Shanklin® Triumph 2

## Form-Fill-Seal Wrapper

Speed, Flexibility, and High Performance

An Outstanding Value in a Sleek, Feature-Packed Design

**NEW ENHANCEMENTS**



- Easy Access Hood Design
- Integrated Shanklin Sabre® Side Sealer
- 33% More End Seal Height
- 33% More End Seal Carriage Travel
- 50% Faster Belt Speed at 90 Feet/Minute
- 25 Recipe Storage
- SmartWire® or Hot Knife End Seal
- Multi Lingual Operator Interface
- Picture Based HMI

# Shanklin® Triumph 2 Form-Fill-Seal Wrapper

## Smarter, Faster, Taller, More flexible... and Easier to Operate

Inspired by the robust and functional design of the original Triumph Wrapper, the Shanklin® Triumph 2 automatic form-fill-seal wrapper is a perfect midrange solution for applications that require more advanced features than an L-Sealer, but fewer than those typically required on a High Speed Automatic Wrapper. Packed with a huge list of standard features, built to last and affordably priced, the Shanklin® Triumph 2 is easily one of the best shrink packaging values available on the market today.

**Easy Setup** – Fully automatic operation; up to 25 discrete recipes with scale based reference points for repeatability.

**Fast** – With a belt speed of 90 feet/minute, the system can easily process up to 60 packages per minute.

**Flexible** – Generates product spacing on the fly from randomly presented products (fixed or random length) up to 7 1/2" tall!

**Picture Based Color Touch Screen** – Multifunctional unit includes controls for speed, end seal and side seal temperatures, stop, start, slow run, spacing, dwell, diagnostics and much more.

**Integrated Shanklin Sabre® Side Sealer** – Delivering quality Side Seals with minimal maintenance.

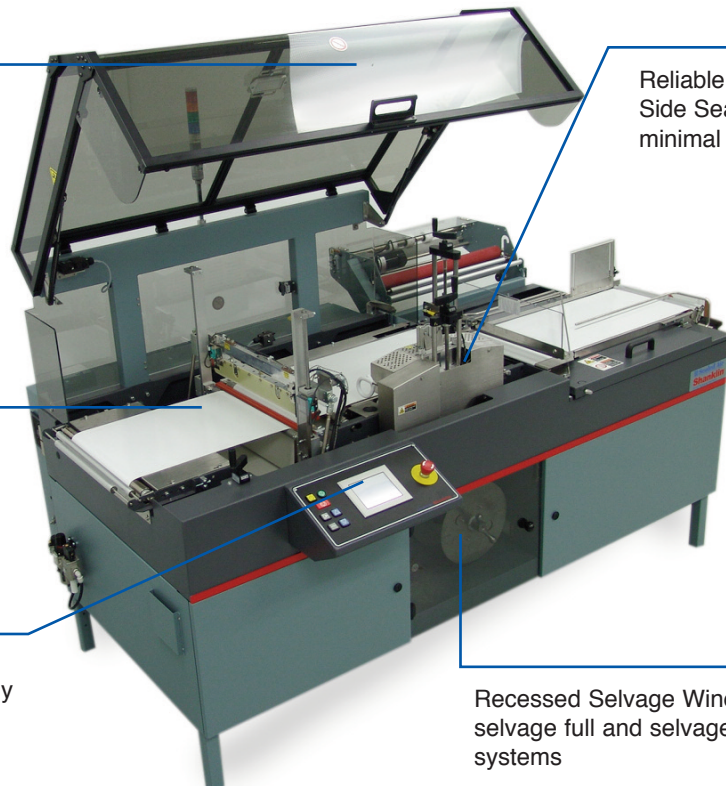
Easy Access Hood Design is translucent allowing you to view the wrapping process when in operation

Reliable Shanklin Sabre® Hot Knife Side Sealer for maximum uptime and minimal maintenance.

Available with Hot Knife or patented SmartWire® End Seal

Machine operation, diagnostics, and all product parameters are universally interfaced through the picture based touch screen control panel.

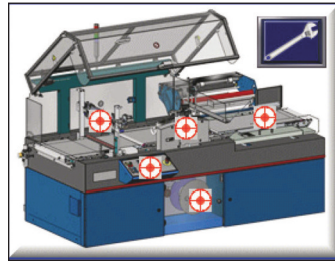
Recessed Selvage Winder includes selvage full and selvage break detection systems



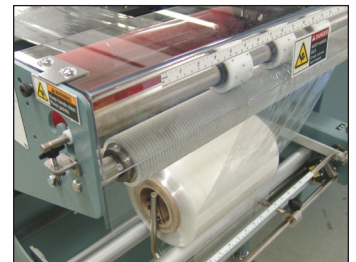
# Meet Our Newest Automatic Form-Fill-Seal Wrapper

- **Adjustment Indicators** – Manual package adjustments utilize digital indicator displays and linear scale positions that are useful in recipe recall to allow for repeatability and quick set up.
- **EZ Load Unwind** – Allows for easy loading and change over of rolls of film.
- **General Purpose Brush Backed Pin Perforator** – Convenient, modular and easily adjustable to optimize air evacuation.
- **Recessed Selvage Winder** – Places the selvage removal process conveniently within the structure of the machine.
- **Light Stack** – Indicates important machine status (stop, ready, run mode, and need for attention).
- **Product Changeover Versatility** – Easy toolless adjustments for; inverting head, end seal height, side seal height, infeed conveyor and package guides.
- **Selvage Full Alarm** – Indicates warning on light stack and stops machine after an adjustable time delay.
- **Selvage Break Alarm** – Stops machine and indicates occurrence on light post.
- **Reduced Downtime** – On-board diagnostics, and modular construction.
- **Convenient** – maintains the right-to-left product flow direction of the Automatic L-Sealer with virtually the same footprint.
- **AC Drive Motors** – Dependable and reliable.
- **Quick Disconnect Electrical Sensors** – Featuring LED telltale connectors with quick disconnect plugs to aid in troubleshooting and maintenance.
- **Swing-Out Electrical Box** – Provides easy access to traditionally hard to access areas of the machine.
- **Ethernet Ready** – For network connectivity
- **Batch Counters** – Counts machine cycles or can incorporate an external input to count finished case units.
- **Smart Carriage Feature** – Allows the machine speed to be adjusted without affecting end seal settings.
- **Multi Language Operator Interface with 8 Languages** – English, French, Spanish, Polish, Italian, German, Portuguese and Russian.

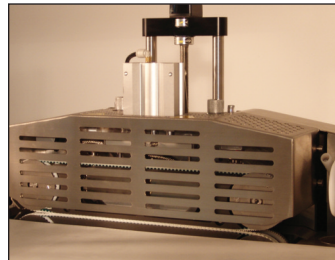
## Standard Value-Added Features



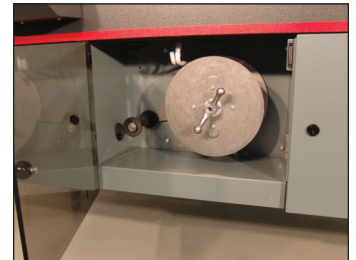
Picture Based Touch Screen Operator Control Pad



EZ Load Film Unwind and Adjustable Depth Pin Perforator with Brush Roller



Shanklin Sabre® Side Sealer



Recessed Selvage Winder with Full and Break Alarms

## Optional Auxiliary Infeeds

Available with 4' and 8' Flighted, Flight Bar or 6' Extended Length Belted Infeed Options to maximize rate and performance.



# Shanklin® Triumph 2

## Specifications

<b>Package size</b>		
Length	From 3" to 48" max. (other lengths on request)	From 76 mm to 1220 mm max.
Width	From 2" to 15" max.	From 50 mm to 380 mm max.
Height	From 1/8" to 7 1/2" max.	From 3.5 mm to 190 mm max.
Weight	Depending on product footprint	
<b>Maximum film width</b>	21" folded or 42" flat (centerfolder required for flat film) 530 mm folded or 1060 mm flat	
<b>Conveyor height</b>	32 1/2" min. to 40 1/2" max. 825 mm min. to 1025 mm max.	
<b>Package speeds</b>	Up to 60 jaw cycles per minute; dependent on product and application	
<b>Film speeds</b>	90 linear feet per minute 27 meters per minute	
<b>Longitude seal</b>	Weld bead at side of package	
<b>Transverse seal</b>	SmartWire® or Wide fin hot knife seal jaws	
<b>Main drive</b>	3/4 HP AC motor with AC inverter variable speed drive	
<b>Infeed drive</b>	3/8 HP AC motor with AC inverter variable speed drive	
<b>Power</b>	230 volts, 1 phase, 50/60 hz, 20 amps <i>Standard export options available</i>	
<b>Compressed air</b>	3 C.F.M. dry air @ 70 psi 5.1 Nm <sup>3</sup> /h @ 4 bar	
<b>Safety devices</b>	Emergency stops, seal jaw safety switches, protective guards, and safety interlocks on all access panels	
<b>Accessories</b>	<ul style="list-style-type: none"> <li>• Casters</li> <li>• EZ Load Infeed Table</li> <li>• Venturi Vacuum Scrap Transfer</li> <li>• Level Bottom Jaw with Short Product Transfer</li> <li>• Print Registration</li> <li>• EZ Load Compact Centerfolder</li> <li>• Dual Roll Compact Centerfolder</li> <li>• Wide Belt Infeed Conveyor</li> <li>• Flight Lug Infeed Conveyor</li> <li>• Flight Bar Infeed Conveyor</li> </ul>	

\* Product length can be extended when appropriate supporting infeed and discharge conveyors are supplied.

Specifications on all machines subject to change without notice. Some photos may show accessories not part of the basic machine.

## The Perfect Partner

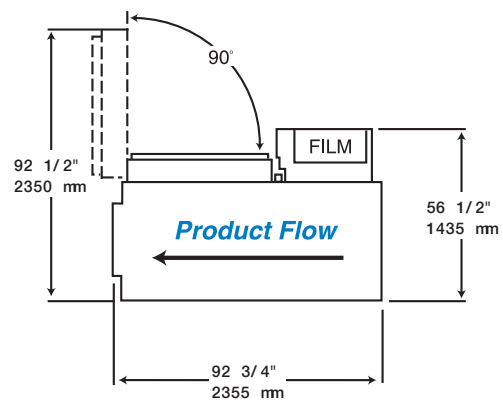
Partner your Triumph® 2 wrapper with a Shanklin® Model T-71 High-Speed Shrink Tunnel for a complete, dependable, quality shrink packaging solution.



T-71

Triumph® 2

## Triumph® 2 Plan View



Distributed by:

 **Sealed Air**

Shrink Packaging  
100 Westford Road  
Ayer, MA 01432  
978-772-3200 Fax: 978-772-5660  
www.shanklincorp.com

**Our Products Protect Your Products®**

Corporate Office: Sealed Air Corporation  
200 Riverfront Boulevard, Elmwood Park, NJ 07407 USA [www.sealedair.com](http://www.sealedair.com)  
© Reg. U.S. Pat. & TMOff. © Sealed Air Corporation (US) 2010. All rights reserved. Printed in the U.S.A. The "9 Dot Logo" and "Sealed Air" are registered trademarks of Sealed Air Corporation (US).

rev 9/22/11